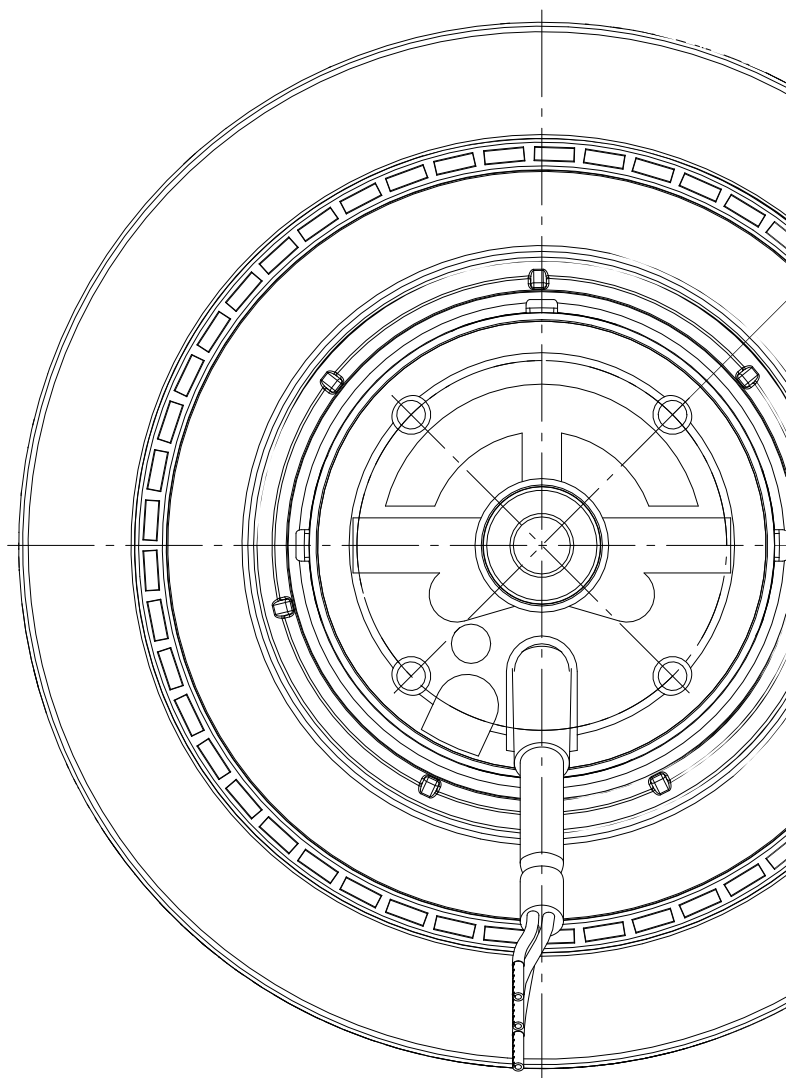


KARTA PRODUKTU

WIRNIK STANDARD +





AC-Centrifugalfan - RadiCal®

backward curved, single inlet

ebm-papst Mulfingen GmbH & Co. KG

Bachmühle 2 · D-74673 Mulfingen

Phone +49 7938 81-0

Fax +49 7938 81-110

info1@de.ebmpapst.com

www.ebmpapst.com

Limited partnership · Headquarters Mulfingen
County court Stuttgart · HRA 590344

General partner Elektrobau Mulfingen GmbH · Headquarters Mulfingen
County court Stuttgart · HRB 590142

Nominal data

Phase		1~	1~
Nominal voltage	VAC	230	230
Frequency	Hz	50	60
Type of data definition		mb	mb
Valid for approval / standard		CE	CE
Speed	min ⁻¹	2700	3100
Power input	W	26	27
Current draw	A	0.12	0.14
Motor capacitor	µF	1.5	1.5
Capacitor voltage	VDB	400	400
Capacitor standard		P2 (CE)	P2 (CE)
Min. back pressure	Pa	0	0
Min. ambient temperature	°C	-25	-25
Max. ambient temperature	°C	45	60
Starting current	A	0.2	0.21

mb = max. load · mw = max. efficiency · fb = running at free air · kv = customer specs · kg = customer unit
Subject to alterations

AC-Centrifugalfan - RadiCal®

backward curved, single inlet

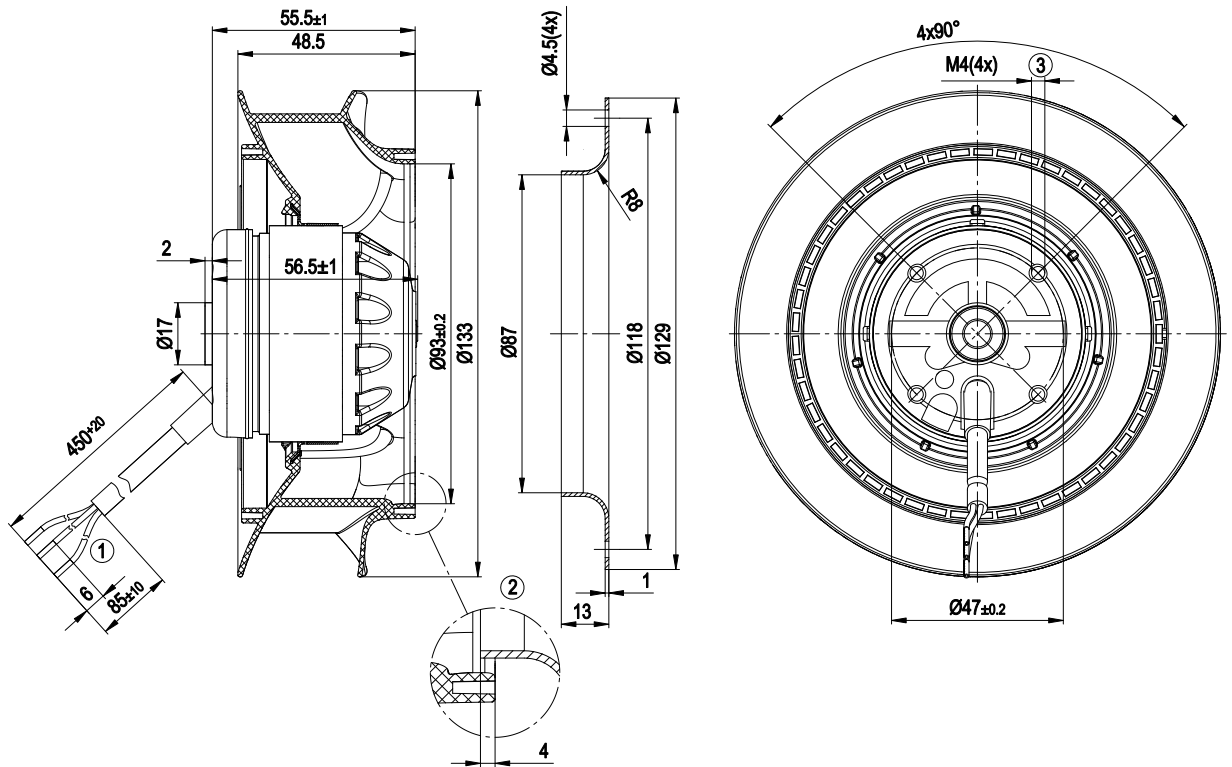
Technical features

Mass	0.59 kg
Size	133 mm
Surface of rotor	Coated in black
Material of impeller	Plastic PA6, fibreglass-reinforced
Number of blades	7
Direction of rotation	Clockwise, seen on rotor
Type of protection	IP 42
Insulation class	"B"
Humidity class	F1-2
Max. permissible ambient motor temp. (transp./ storage)	+ 80 °C
Min. permissible ambient motor temp. (transp./storage)	- 40 °C
Mounting position	Shaft horizontal or rotor on bottom; rotor on top on request
Condensate discharge holes	Rotor-side
Operation mode	S1
Motor bearing	Ball bearing
Touch current acc. IEC 60990 (measuring network Fig. 4, TN system)	< 0.75 mA
Motor protection	Thermal overload protector (TOP) wired internally
Cable exit	Variable
Protection class	Built-in component designed with basic insulation, protection class classification is available after installation according to intended use
Product conforming to standard	EN 60335-1; CE
Approval	CCC

AC-Centrifugalfan - RadiCal®

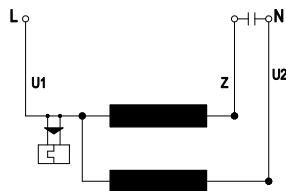
backward curved, single inlet

Product drawing



- 1 Connection line PVC 3X 0.25 mm², 3 x brass lead tips crimped
- 2 Accessory part: Inlet nozzle 09566-2-4013, not included in the standard scope of delivery
- 3 Depth of screw max. 4 mm

Connection screen

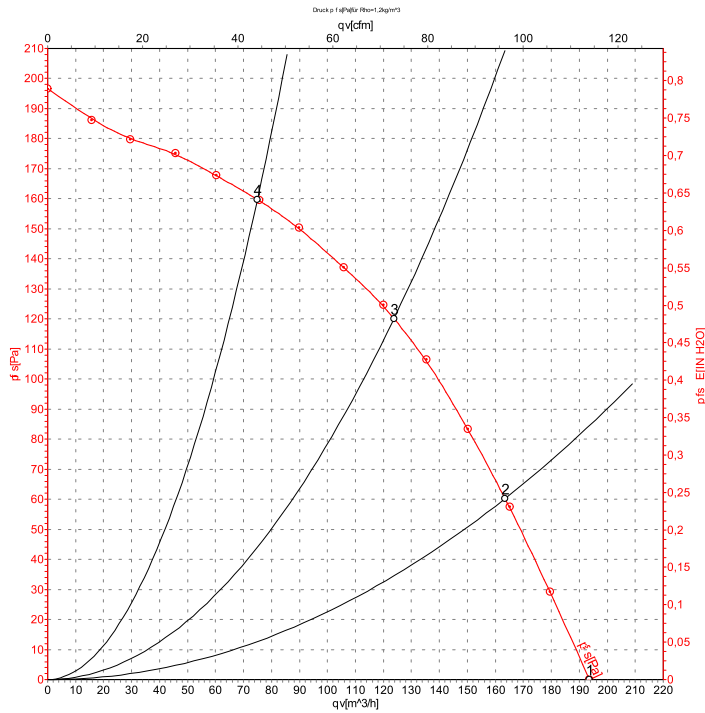


U1	blue	Z	brown	U2	black
----	------	---	-------	----	-------

AC-Centrifugalfan - RadiCal®

backward curved, single inlet

Charts: Air flow 50 Hz



Measurement: LU-131804

Air performance measured as per ISO 5801 Installation category A. For detailed information on the measuring set-up, please contact ebm-papst. Suction-side noise levels: LwA measured as per ISO 13347 / LpA measured with 1m distance to fan axis. The values given are valid under the measuring conditions mentioned above and may vary according to the actual installation situation. With any deviation from the standard set-up, the specific values have to be checked and reviewed with the unit installed.

Measured values

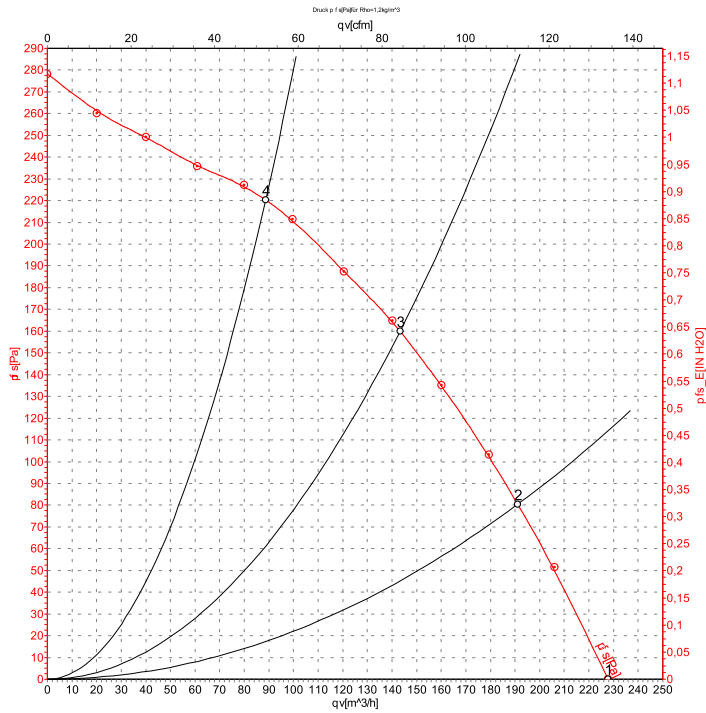
	U	f	n	P _e	I	LpA _{in}	LwA _{in}	qv	P _{fs}
	V	Hz	min ⁻¹	W	A	dB(A)	dB(A)	m³/h	Pa
1	230	50	2750	25	0.11	49	58	195	0
2	230	50	2725	25	0.11	47	56	165	60
3	230	50	2700	26	0.12	44	53	125	120
4	230	50	2730	24	0.11	48	57	75	160

U = Supply voltage · f = Frequency · n = Speed · P_e = Power input · I = Current draw · LpA_{in} = Sound pressure level inlet side · LwA_{in} = Sound power level inlet side · qv = Air flow
P_{fs} = Pressure increase

AC-Centrifugalfan - RadiCal®

backward curved, single inlet

Charts: Air flow 60 Hz



Measurement: LU-131805

Air performance measured as per ISO 5801 Installation category A. For detailed information on the measuring set-up, please contact ebm-papst. Suction-side noise levels: L_{wA} measured as per ISO 13347 / L_{pA} measured with 1m distance to fan axis. The values given are valid under the measuring conditions mentioned above and may vary according to the actual installation situation. With any deviation from the standard set-up, the specific values have to be checked and reviewed with the unit installed.

Measured values

	U	f	n	P _e	I	L _{pA_{in}}	L _{wA_{in}}	qv	P _{fs}
	V	Hz	min ⁻¹	W	A	dB(A)	dB(A)	m ³ /h	Pa
1	230	60	3200	25	0.13	53	62	230	0
2	230	60	3175	26	0.13	51	59	190	80
3	230	60	3100	27	0.14	48	57	145	160
4	230	60	3185	26	0.13	51	60	90	220

U = Supply voltage · f = Frequency · n = Speed · P_e = Power input · I = Current draw · L_{pA_{in}} = Sound pressure level inlet side · L_{wA_{in}} = Sound power level inlet side · qv = Air flow
 p_{fs} = Pressure increase

